



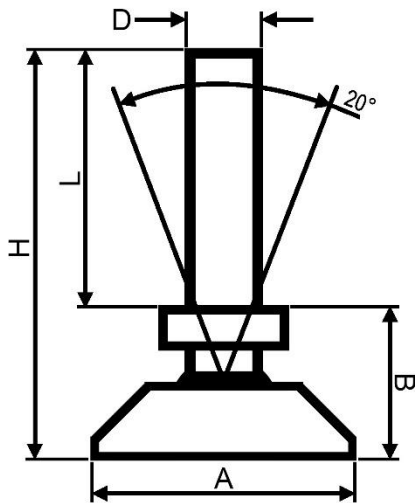
*"Experts in Specialist  
Wheels & Tyres"*

## PRODUCT INFORMATION

# Tilting Levelling Foot

**Material:** Zinc plated thread on polyethylene base.

|                              |          |
|------------------------------|----------|
| <b>Part number:</b>          | 5019-40  |
| <b>Thread size (D):</b>      | M12x1.75 |
| <b>Total height (H):</b>     | 70mm     |
| <b>Thread length (L):</b>    | 50mm     |
| <b>Base height (B):</b>      | 20mm     |
| <b>Base diameter (A):</b>    | 40mm     |
| <b>Max recommended load:</b> | 100kg    |



Telephone: (353) 1 452 0482  
Email: [info@parnell.eu](mailto:info@parnell.eu)

[www.parnells.eu](http://www.parnells.eu)

Unit A1 - A4  
Southcity Business Centre  
Whitestown Way  
Tallaght  
Dublin D24 HT95  
Ireland