



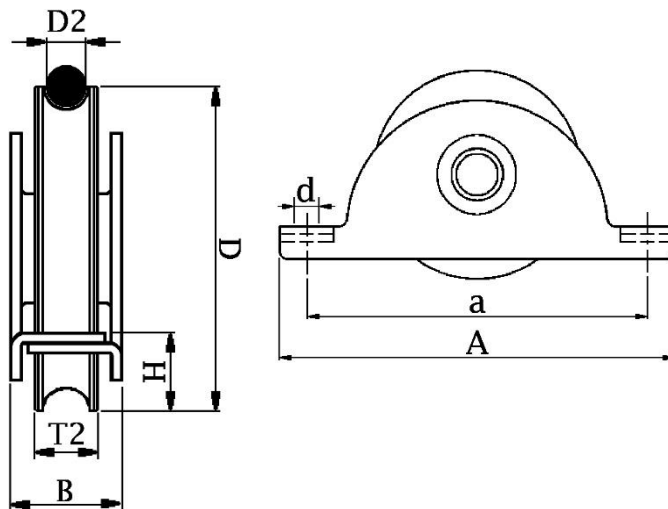
*"Experts in Specialist  
Wheels & Tyres"*

## PRODUCT INFORMATION

# Round Groove Wheel in 2-Hole Bracket

**Material:** 2-hole bracket and round groove wheel in zinc plated steel.

<b>Part number:</b>	80-R-FX2
<b>Wheel diameter (D):</b>	78mm
<b>Tread width (T2):</b>	20mm
<b>Wheel bearing:</b>	Single ball bearing
<b>Mounting plate size (AxB):</b>	135x32mm
<b>Fixing hole spacing (a):</b>	110mm
<b>Fixing hole size (d):</b>	9mm
<b>Groove diameter (D2):</b>	16mm
<b>Height from ground to base of mounting bracket (H):</b>	29mm
<b>Load capacity :</b>	150kg



Telephone: (353) 1 452 0482  
Email: [info@parnell.eu](mailto:info@parnell.eu)

[www.parnells.eu](http://www.parnells.eu)

Unit A1 - A4  
Southcity Business Centre  
Whitestown Way  
Tallaght  
Dublin D24 HT95  
Ireland