



"Experts in Specialist  
Wheels & Tyres"

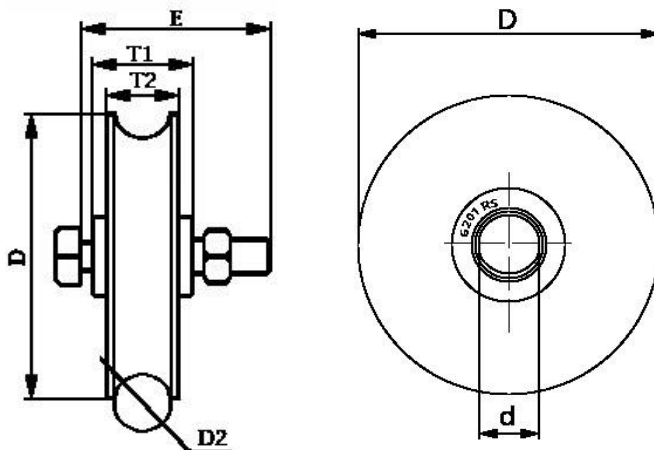
## PRODUCT INFORMATION

# Round Groove Wheel with 1 Ball Bearing

**Material:** Zinc plated steel

*Supplied with bolt, nut and T-bushes.*

<b>Part number:</b>	50-R-1BB
<b>Wheel diameter (D):</b>	50mm
<b>Tread width (T2):</b>	15mm
<b>Bolt size (E):</b>	M8x40mm
<b>Hub length including T-bushes (T1):</b>	26mm
<b>Groove diameter (D2):</b>	11.5mm
<b>Wheel bore (d):</b>	12mm
<b>Bearing number:</b>	6201 RS
<b>Load capacity :</b>	30kg



Telephone: (353) 1 452 0482  
Email: [info@parnell.eu](mailto:info@parnell.eu)

[www.parnells.eu](http://www.parnells.eu)

Unit A1 - A4  
Southcity Business Centre  
Whitestown Way  
Tallaght  
Dublin D24 HT95  
Ireland