



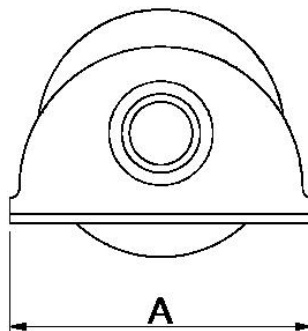
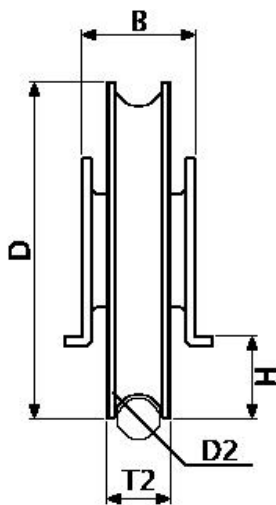
*"Experts in Specialist
Wheels & Tyres"*

PRODUCT INFORMATION

Round Groove Wheel in Countersunk Bracket

Material: Zinc plated steel

Part number:	80-R-FX1
Wheel diameter (D):	78mm
Tread width (T2):	22mm
Bracket size (AxB):	95x33mm
Groove diameter (D2):	16.5mm
Height from ground to base of mounting bracket (H):	15mm
Load capacity :	150kg



Telephone: (353) 1 452 0482
Email: info@parnell.eu

www.parnells.eu

Unit A1 - A4
Southcity Business Centre
Whitestown Way
Tallaght
Dublin D24 HT95
Ireland